

GHISAFORT A 90 SX FIREPLACE

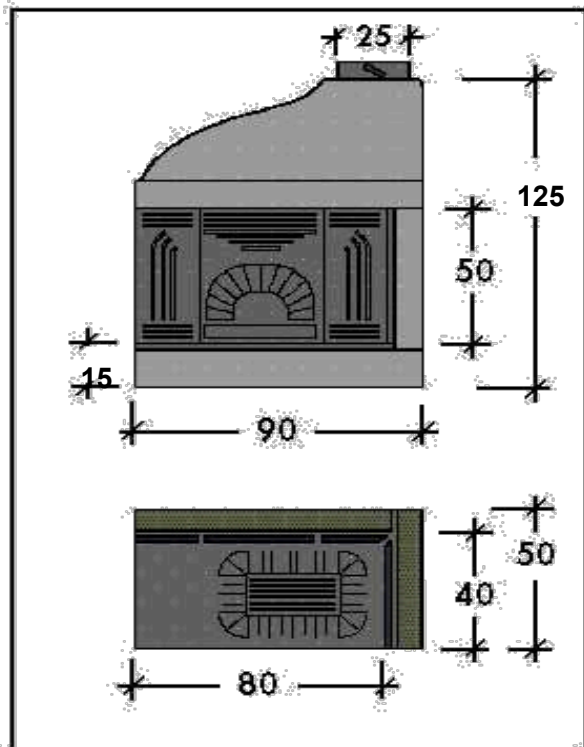
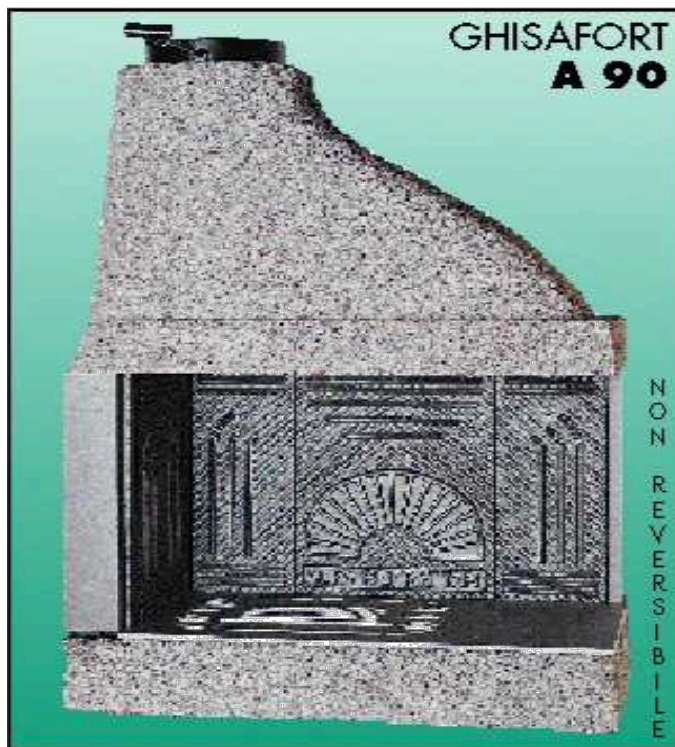
TECHNICAL DETAILS

MIN. ROOM AREA	Mq.	12
HEAT RATING	Kcal/h	13.500
FUEL CONSUMPTION	Kg/h	4
ENERGY EFFICIENCY	Kcal/h	4.000
WEIGHT	Kg.	228
AIR INLET VENT	cm	12x12
EXHAUST SMOKE VALVE	cm /diam.	25
MAX FUEL CAPACITY	Kg.	6
RECOMMENDED FUEL	Dry wood	

CHIMNEY FLUE DIMENSIONS

Chimney height 3 mt.	Chimney height 3/4,5 mt	Chimney height 4,5/7 mt	Chimney height oltre 7 mt
35x35	30x30	25x25	20x20
or	or	or	or
diam. 35	diam. 30	diam. 25	diam. 20

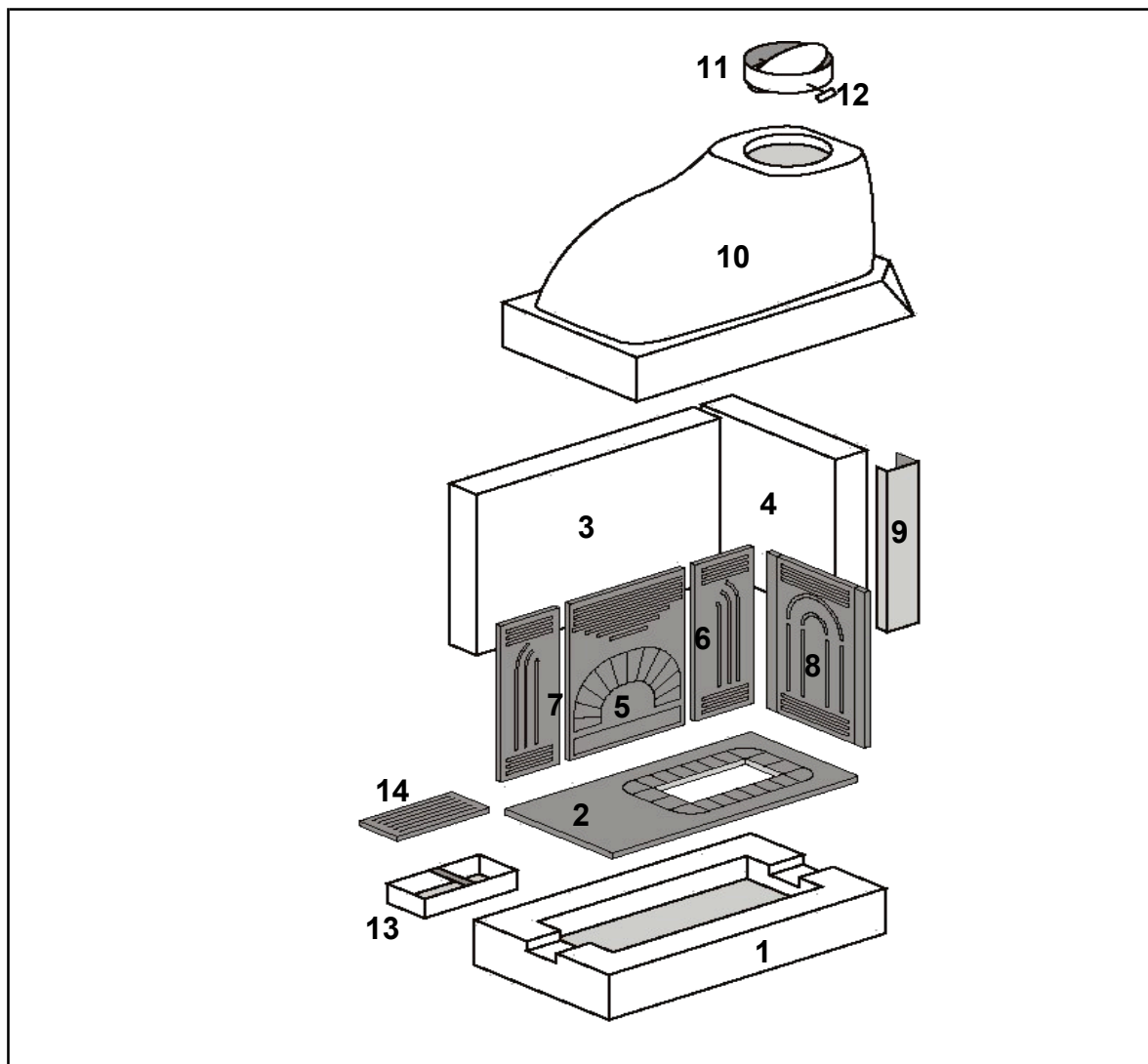
GHISAFORT A 90 SX DIMENSIONS



PARTS LIST			
NO.	CODE	NO. PCS	DESCRIPTION
1	XCBGF90	1	GHISAFORT A90 SX CLAY BASE
2	XCPGF90	1	GHISAFORT A90 SX REFRACTORY FLOOR
3	XCFGF90	1	GHISAFORT A90 SX CLAY REAR
4	XCGSP90	1	GHISAFORT A90 SX CLAY SIDE
5	XCGFSCM	1	GHISAFORT A90 SX CAST IRON REAR
6	XCGSPSC	1	GHISAFORT A90 SX CAST IRON REAR RIGHT
7	XCGSPSS	1	GHISAFORT A90 SX CAST IRON REAR LEFT
8	XCSDGAC	1	GHISAFORT A90 SX CAST IRON SIDE
9	YCOPNOV	1	SIDE COVER
10	XCCGF90	1	GHISAFORT A90 SX CLAY HOOD
11	YVALD25	1	VALVE DIAM. 25
12	YMANFER	1	VALVE HANDLE
13	YCASPIC	1	ASH DRAWER
14	XCGGSCM	1	CAST IRON GRID

The numbers above correspond to those in the diagram below.

GHISAFORT A90 SX ASSEMBLY DIAGRAM



Assembly of the Fireplace should follow the numbered sequence above.

PLEASE SAVE THIS DOCUMENT FOR FUTURE REFERENCE

CONSERVARE CON CURA IL PRESENTE SCHEMA DI MONTAGGIO.